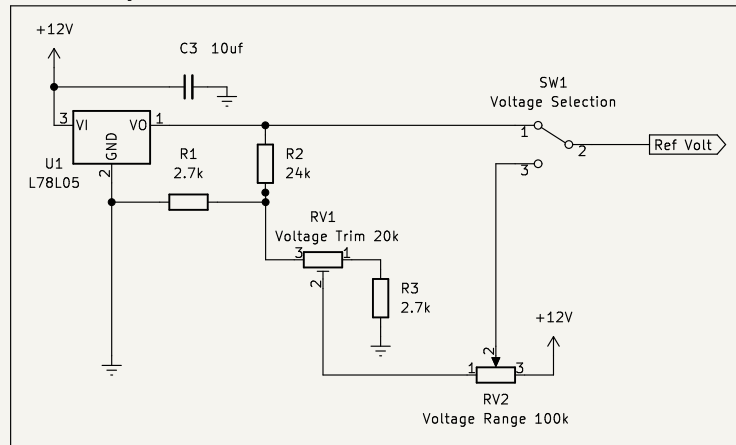
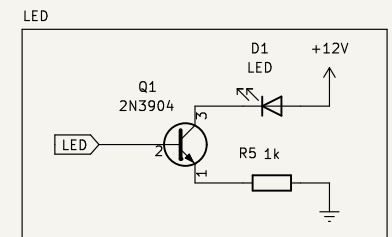
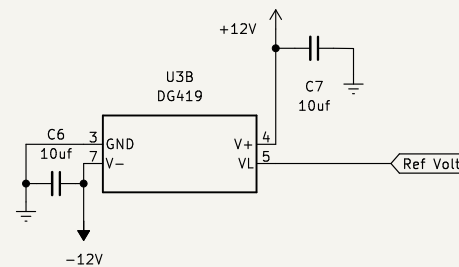
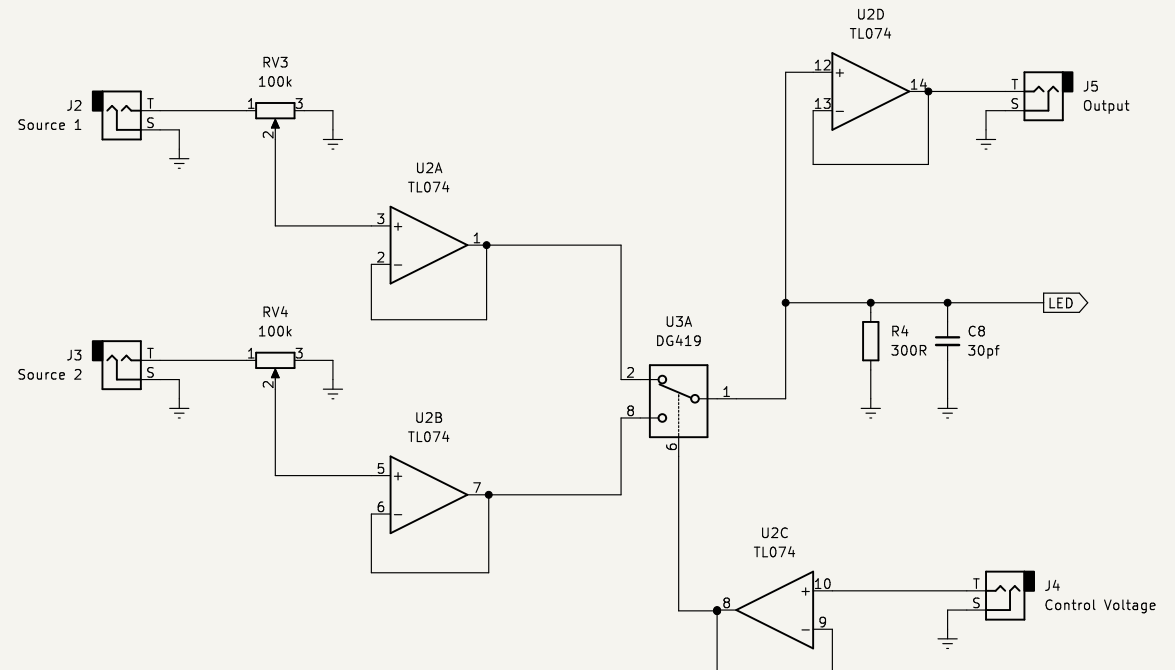
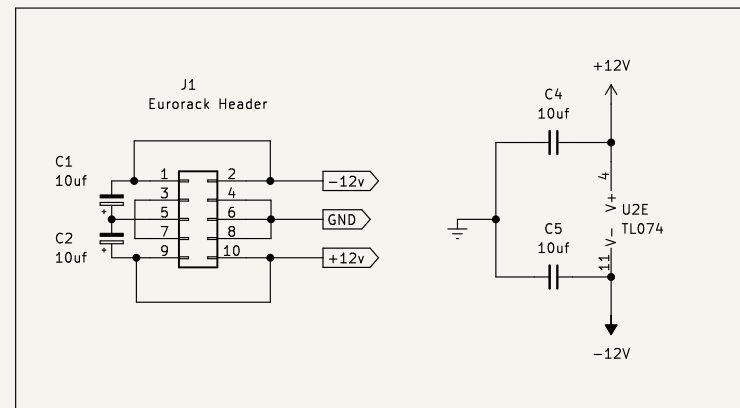


Reference Voltage



Power



Make up your mind, already

**Mechlab Industries**

Sheet: /

File: Ambivalence Drive.kicad\_sch

**Title: Ambivalence Drive**

Size: A4 Date: 2022-12-08

KiCad E.D.A. kicad (6.0.9)

**Rev: v1.0**

Id: 1/4