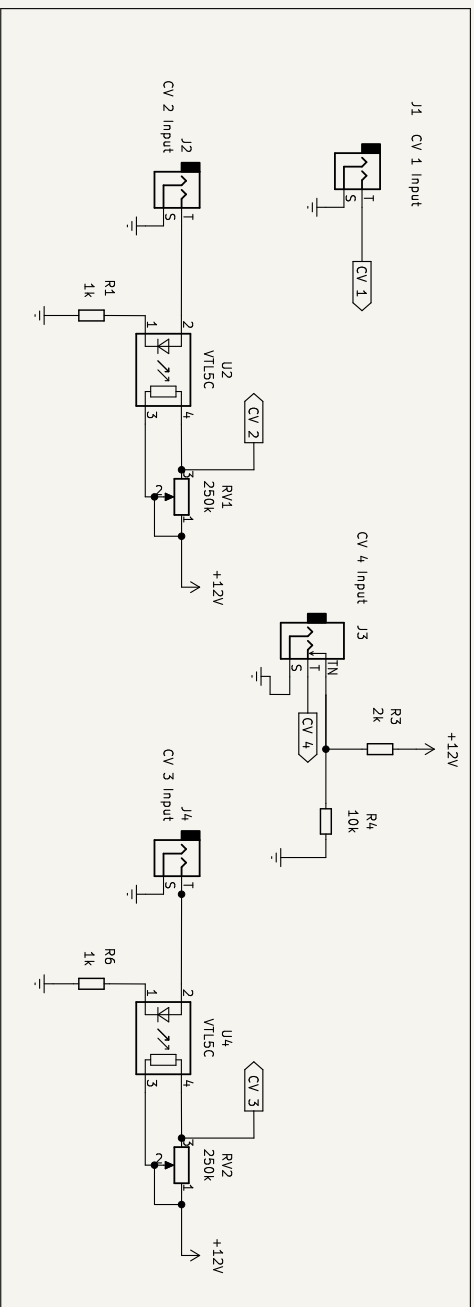


CV Inputs



Mechlab Productions	
Sheet: /	
File: APC.kicad_sch	
Title: Steptone & Son	
Size: A4	Date: 2023-11-16
Kicad E.D.A. kicad (6.0.9)	
	Rew:
	Id: 1/2