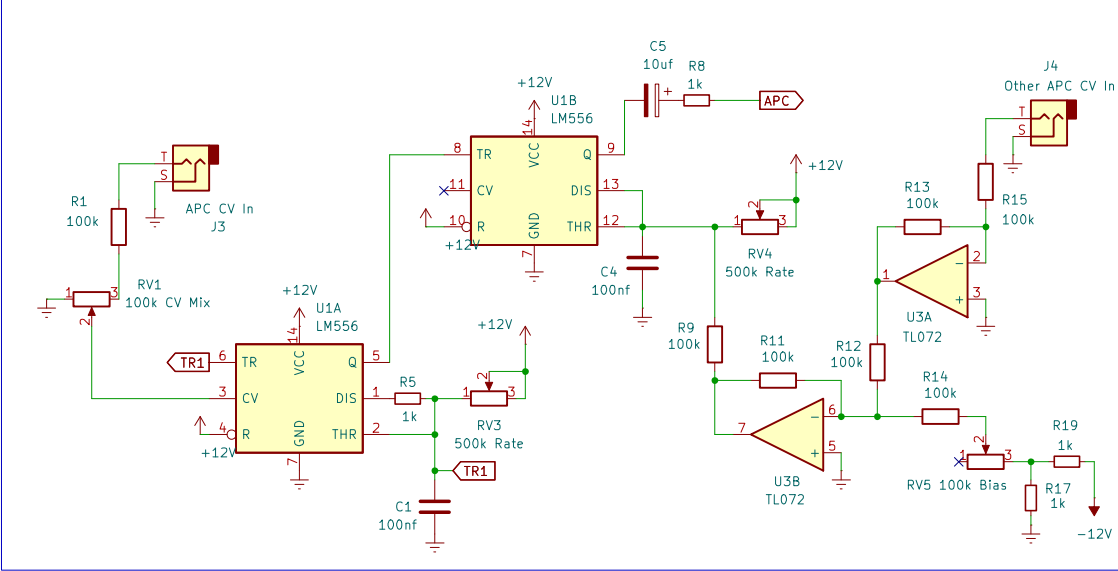


Stepped Tone Generator (aka Atari Punk Console)



This Space Intentionally Left Blank

Mechlab Productions

Sheet: /
File: Liberation.kicad_sch

Title: Liberation

Size: A4 Date: 2026-04-02
KiCad E.D.A. 9.0.7

Rev: v1.0
Id: 1/1